

MAINTENANCE INSTRUCTIONS

RATCHET WRENCH

MODEL MR-2207C 1/4" SQ.

MODEL MR-2209C 3/8" SQ.

TOKU

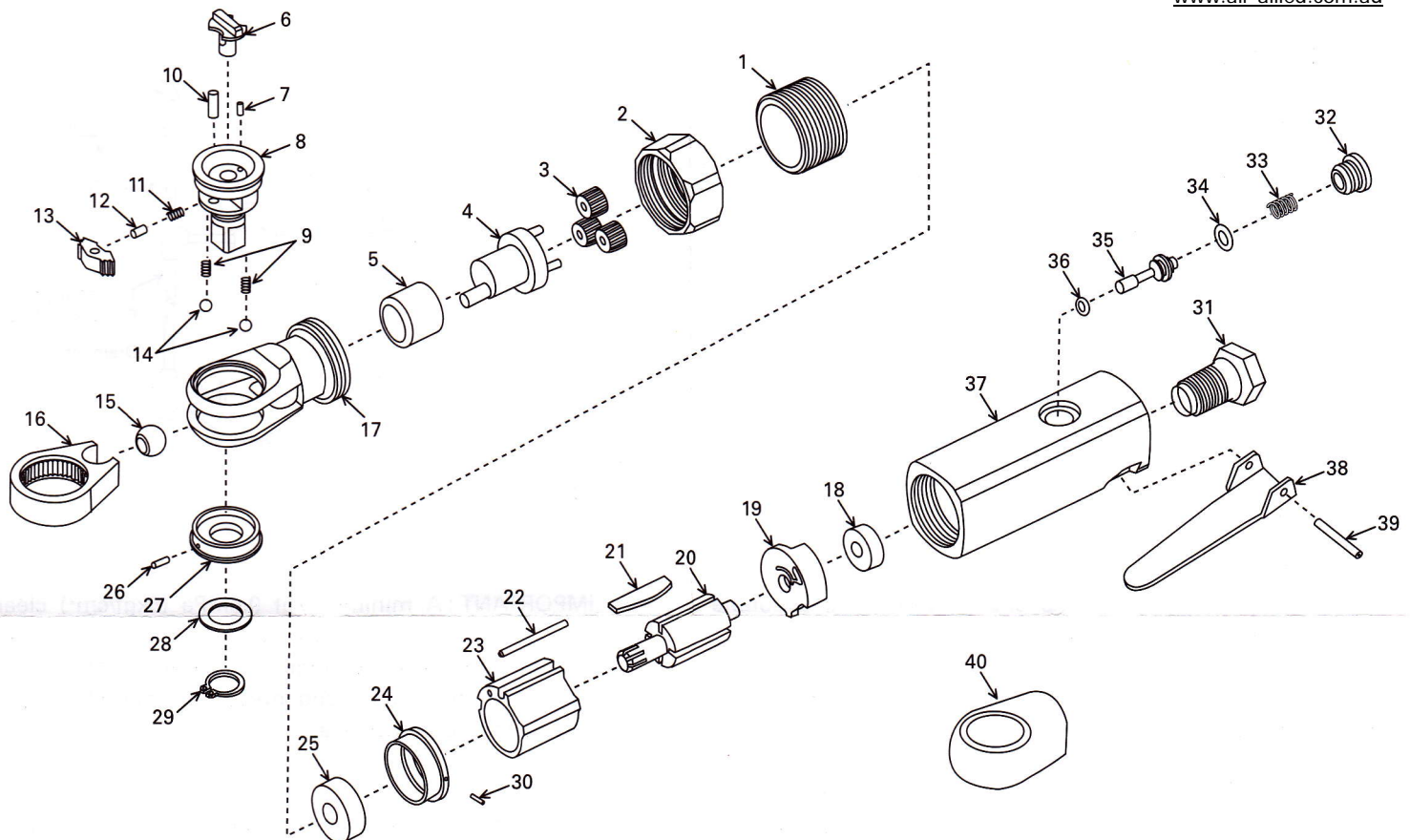


TOKU PNEUMATIC PRODUCTS



www.air-allied.com.au

Exploded View



| Sym. No. | Parts No. | Q'ty. No. | Description | Sym. No. | Parts No. | Q'ty. No. | Description |
|----------|--------------|-----------|-----------------------|----------|--------------|-----------|-----------------------|
| 1 | T5-04-07-020 | 1 | Internal Gear | 21 | T5-04-02-120 | 4 | Rotor Blade |
| 2 | T5-04-07-390 | 1 | Cramp Nut | 22 | T5-04-02-130 | 1 | Cylinder Pin |
| 3 | T5-04-07-030 | 3 | Idle Gear | 23 | T5-04-02-150 | 1 | Cylinder |
| 4 | T5-04-07-340 | 1 | Crank Shaft | 24 | T5-04-02-170 | 1 | Front Plate |
| 5 | T5-04-07-440 | 1 | Needle Roller Bearing | 25 | T5-04-02-180 | 1 | Bearing 608ZZ |
| 6 | T5-04-07-370 | 1 | Reverse Knob | 26 | T5-04-07-420 | 1 | Needle Roller 2.0x5.8 |
| 7 | T5-04-03-400 | 1 | Spring Pin 2x5 | 27 | T5-04-07-360 | 1 | Spacer |
| 8 | T5-04-07-380 | 1 | Ratchet Anvil 3/8 | 28 | T5-04-07-410 | 1 | Washer |
| | T5-04-09-8A0 | (1) | Ratchet Anvil 1/4 | 29 | T5-04-07-470 | 1 | Retaining Ring STW-12 |
| 9 | T5-04-07-090 | 2 | Friction Spring | 30 | T5-06-97-210 | 1 | PIN 1.2X8 |
| 10 | T5-04-07-430 | 1 | Needle Roller 3.3x10 | 31 | T5-04-02-430 | 1 | Air Inlet Bushing |
| 11 | T5-04-02-320 | 1 | Spring | 32 | T5-04-02-010 | 1 | Valve Screw |
| 12 | T5-04-02-310 | 1 | Lock Pin | 33 | T5-04-02-030 | 1 | Spring |
| 13 | T5-04-02-340 | 1 | Ratchet Pawl | 34 | T5-04-02-020 | 1 | O-Ring P-8 |
| 14 | T3-07-06-420 | 2 | Steel Ball (1/8) | 35 | T5-04-02-050 | 1 | Valve Stem |
| 15 | T5-04-07-400 | 1 | Drive Bushing | 36 | T5-04-02-040 | 1 | O-Ring P-5 |
| 16 | T5-04-07-330 | 1 | Ratchet Yoke | 37 | T5-04-02-080 | 1 | Motor Housing |
| 17 | T5-04-07-350 | 1 | Ratchet Housing | 38 | T5-04-02-070 | 1 | Throttle Lever |
| 18 | T5-04-02-100 | 1 | Bearing R4ZZ | 39 | T5-04-02-090 | 1 | Spring Pin 3x24 |
| 19 | T5-04-02-110 | 1 | Rear Plate | 40 | T5-04-07-480 | 1 | Cap |
| 20 | T5-04-02-140 | 1 | Rotor | | | | |